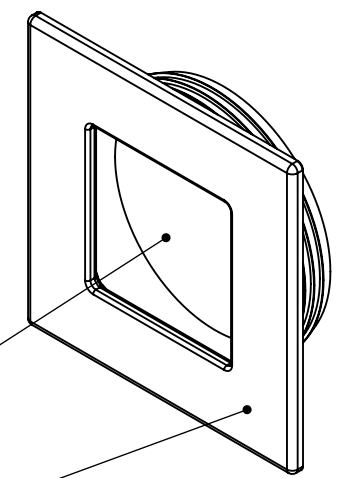
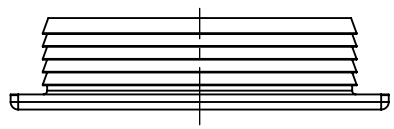


SECTION A-A



Material Back plate: Iron

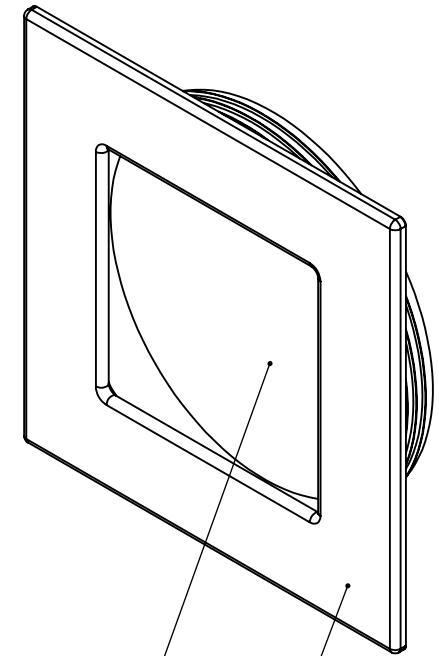
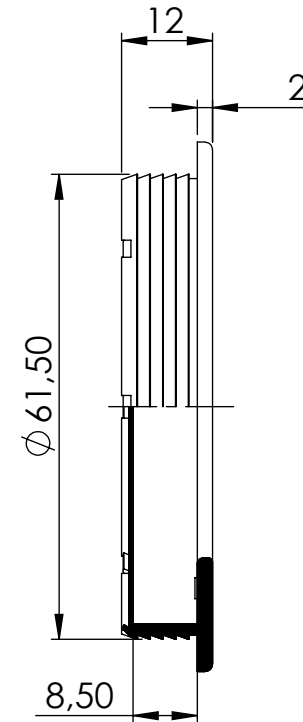
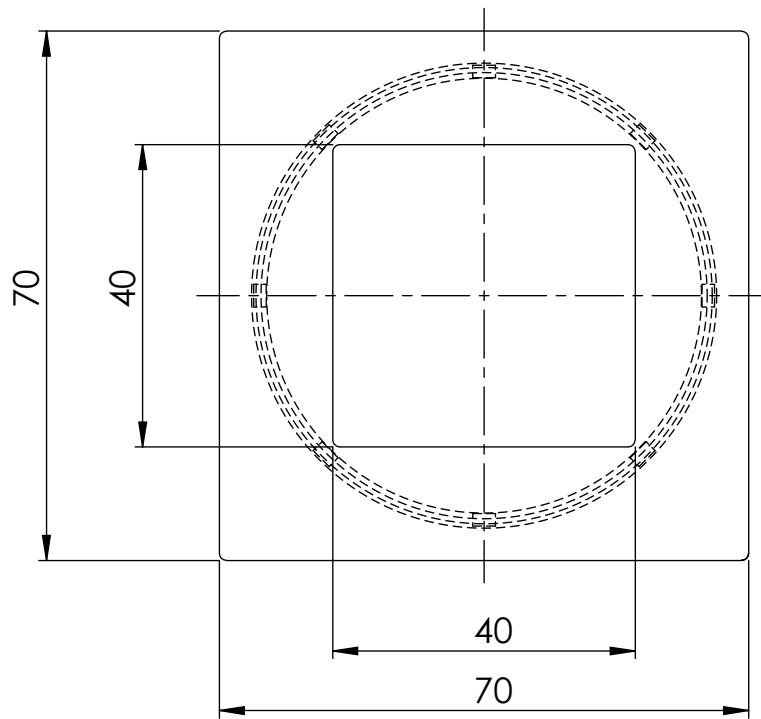
Material: Zinc



Part name: RECESSED HANDLE INN		Projection: 	Sheet format: A4	Tolerance unless otherwise specified DS/ISO 2768-1M						
Customer:		Drawn by: ps date 30. maj 2013	Scale: 1:1	Linear dimensions:						
Part no.: 512160050		Page 1 of 1		0-3	3-6	6-30	30-120	120-400	400-1000	1000-2000
Material: Zinc		Weight: 40,72 grams		± 0.1	± 0.1	± 0.2	± 0.3	± 0.5	± 0.8	± 1.2
Rev.:		Date:	Name:	Description:		Angle		Radius		
						± 0.5°		± 5%		

furnipart[®]

Delta 2 Phone: +45 87 64 35 00
DK-8382 Hinnerup Fax: +45 87 64 35 01



Material Back plate: Iron

Material: Zinc

Part name: RECESSED HANDLE INN	Projection: 	Sheet format: A4	Tolerance unless otherwise specified DS/ISO 2768-1M						
Customer:	Drawn by: ps date 8. april 2013	Scale: 1:1	Linear dimensions:						
Part no.: 512160070	Page 1 of 1		0-3	3-6	6-30	30-120	120-400	400-1000	1000-2000
Material:	Weight: 72,69 grams		± 0.1	± 0.1	± 0.2	± 0.3	± 0.5	± 0.8	± 1.2
			Angle	Radius					
			± 0.5°	± 5%					

Rev.:	Date:	Name:	Description:

furnipart®

Delta 2 Phone: +45 87 64 35 00
DK-8382 Hinnerup Fax: +45 87 64 35 01